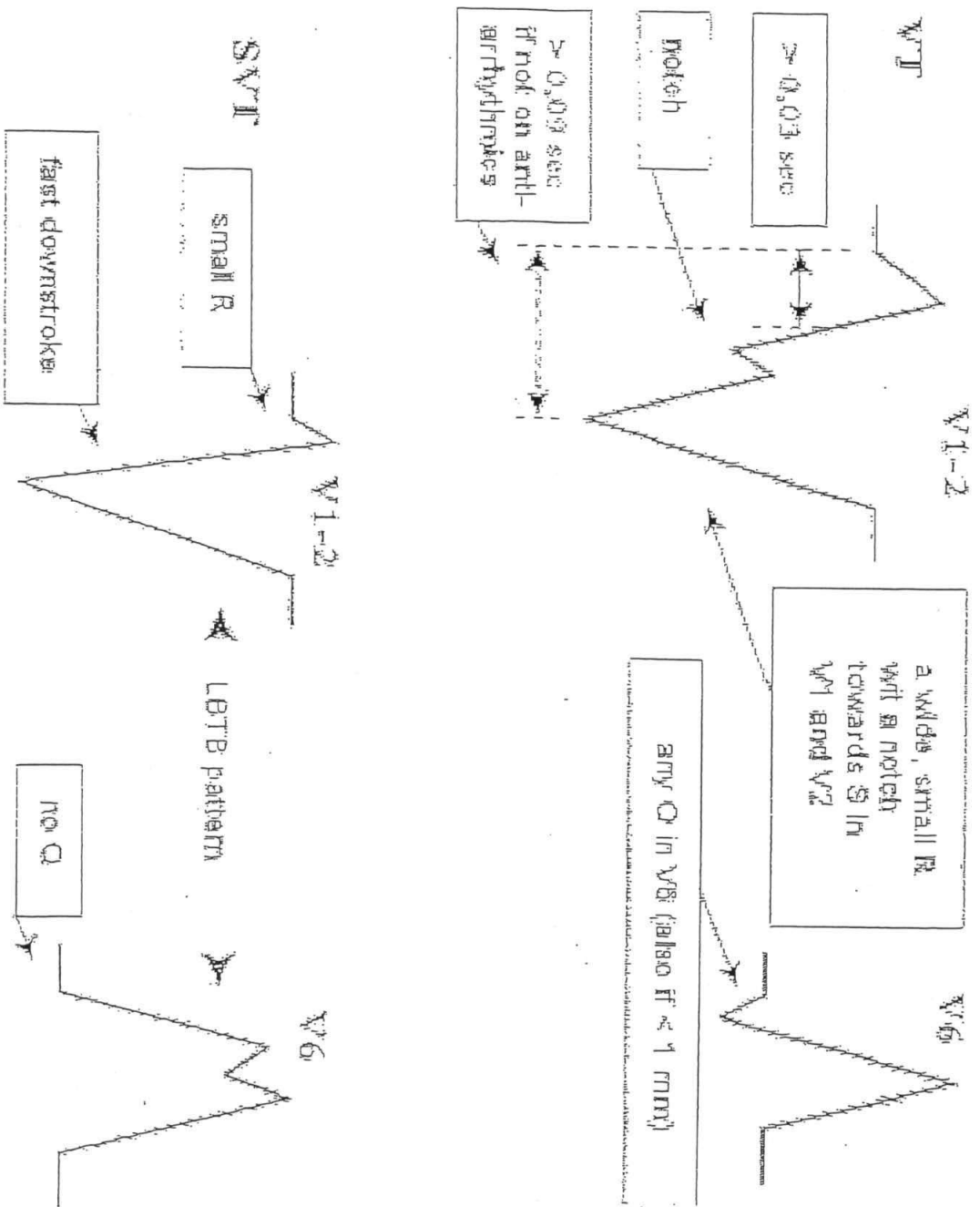
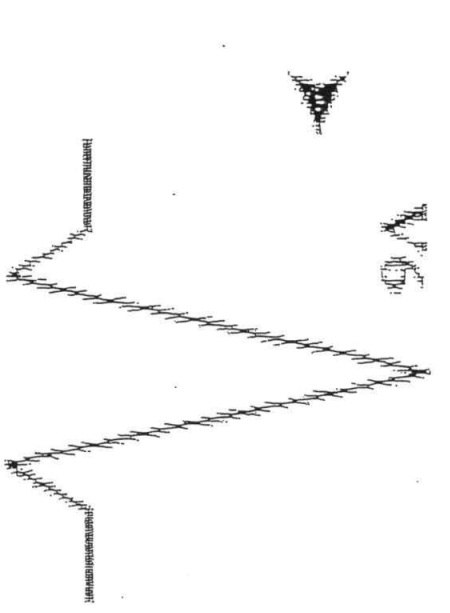
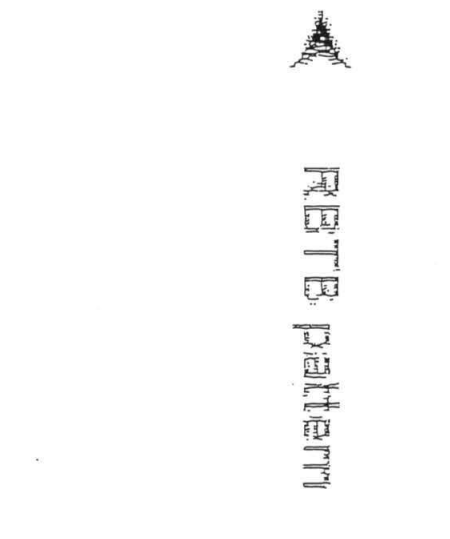
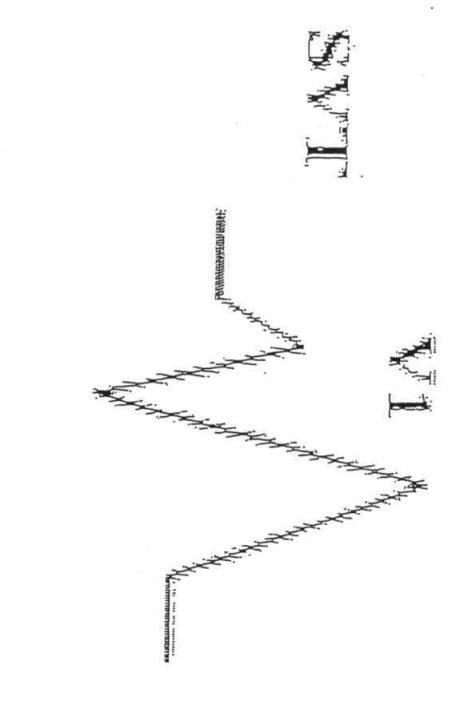
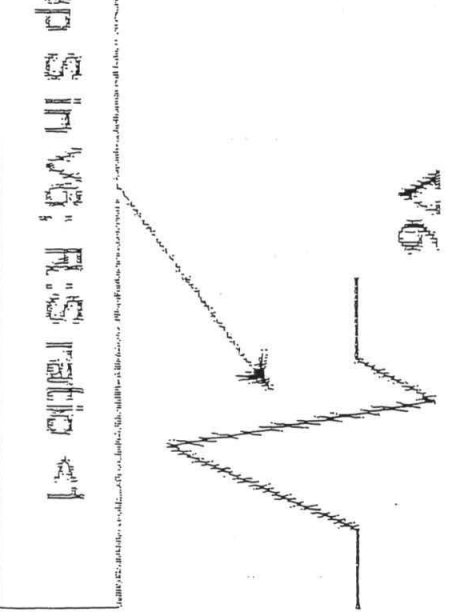
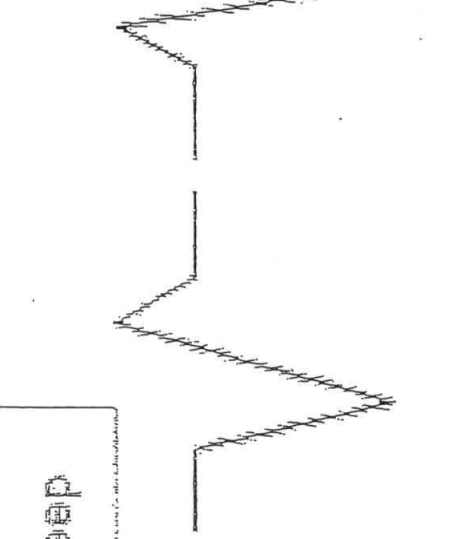
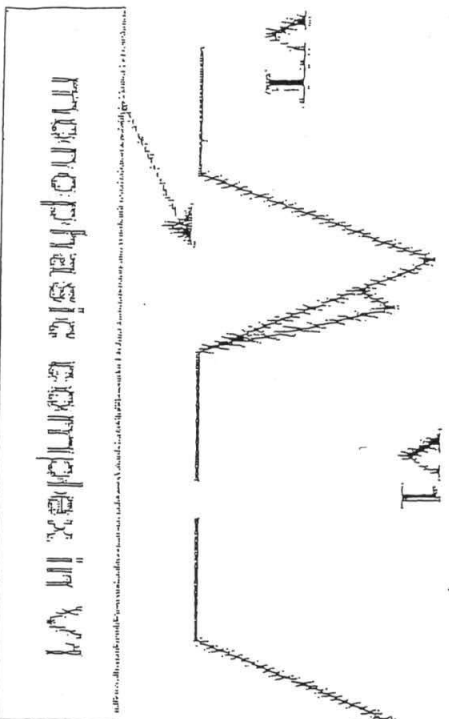


LBBB Morphology Criteria



RBBB Morphology Criteria



SVT

RET B pattern